

**Precision Press Products, LLC**  
**800-510-4181 or 816-887-5831**  
**Fax 816-887-5834**

## **Goss™ Headliner Sidelay Screw Adjustment Assembly**



**Complete Assembly (Shown with Bearings)**

If you have tried to buy this assembly from the OEM in the past, you know it is only sold with all the brass gears, which you don't usually need. Our kit contains all parts minus gears and bearings. If you need the bearings, we stock them at a very competitive price. We usually have these kits in stock ready for immediate shipment.

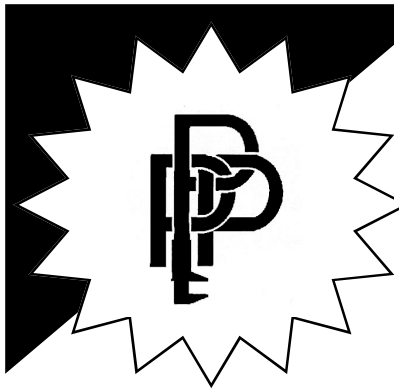


**Bearing Assembly**  
**PPP-BA2B-474338**



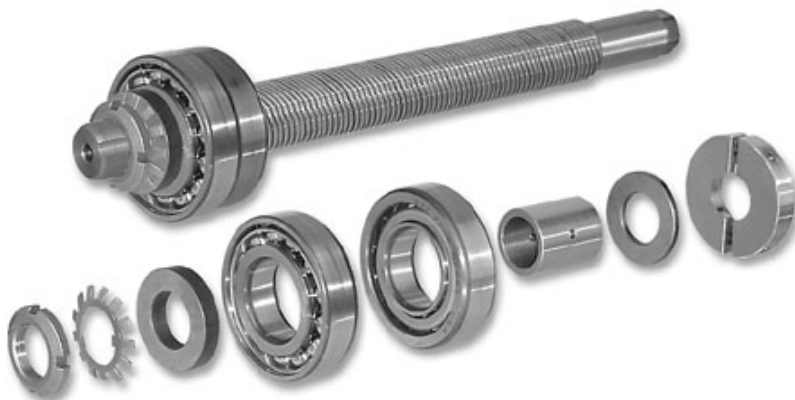
**Sidelay Screw Adjustment Assembly Kit**  
**PPP-E36128SA**

Quantity	Part Number	Description	Price Per Part
1+	PPP-E36128SA	Sidelay Screw Adjustment Assy Kit	\$550.00 Per Set



**Precision Press Products, LLC**  
**800-510-4181 or 816-887-5831**  
**Fax 816-887-5834**

## **Goss™ Colorliner Sidelay Screw Adjustment Assembly**



**Complete Assembly (Shown with Bearings)**

If you have tried to buy this assembly from the OEM in the past, you know it is only sold with all the brass gears, which you don't usually need. Our kit contains all parts minus gears and bearings. If you need the bearings, we stock them at a very competitive price. We usually have these kits in stock ready for immediate shipment.



**Bearing Assembly  
 PPP-BA2B-474338**



**Sidelay Screw Adjustment Assembly Kit  
 PPP-E19309SA**

Quantity	Part Number	Description	Price Per Part
1+	PPP-E19309SA	Sidelay Screw Adjustment Assy Kit	\$550.00 Per Set